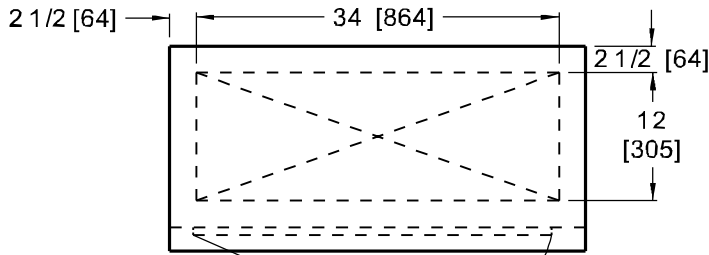
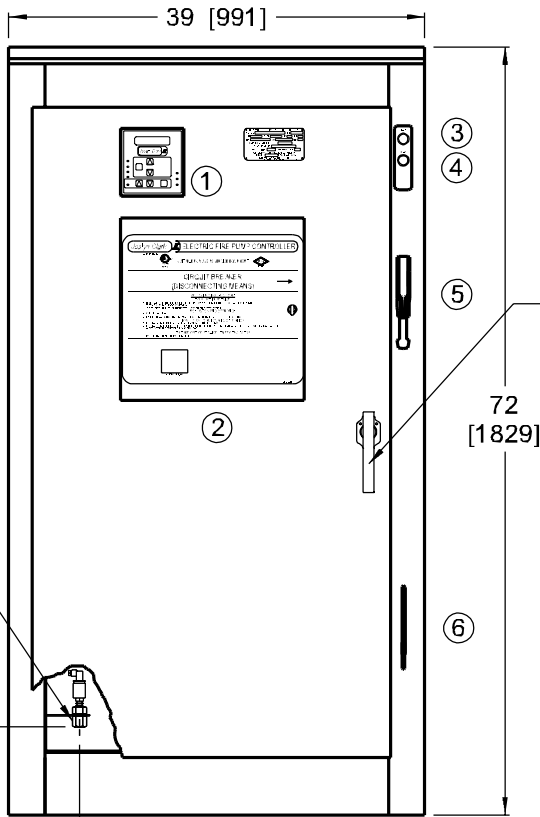


CABINET OUTLINE

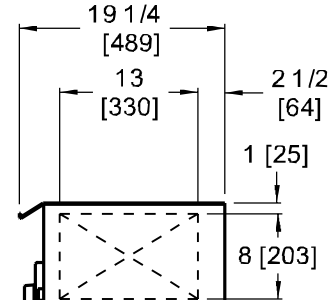
TYPE 2 [IP11], 3R [IP14]
OR 12 [IP52] ENCLOSURE.
ALL DIMENSIONS ARE
SHOWN IN INCHES / [mm]



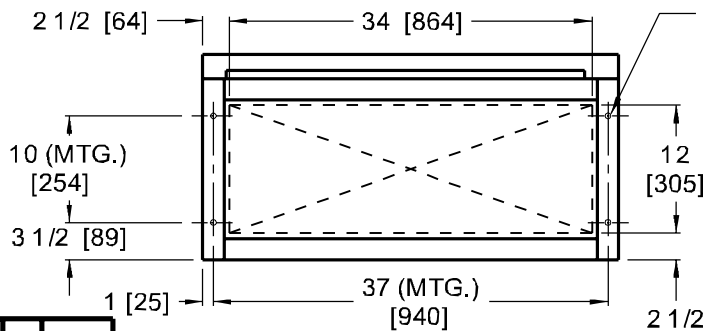
TOP VIEW



FRONT VIEW



R.H. SIDE VIEW



BOTTOM VIEW

4X MTG. HOLES
FOR 1/2" [M12]
HARDWARE

PRESS. CONN.
1/2" FNPT
(INSIDE)

- ① OPERATOR INTERFACE PANEL
- ② RECORDING PRESSURE GAUGE
- ③ START PUSHBUTTON
- ④ STOP PUSHBUTTON
- ⑤ DISCONNECTING MEANS HANDLE
- ⑥ EMERGENCY START HANDLE

--- CONDUIT ENTRANCE AREA
(BOTH SIDES, TOP & BOTTOM OF ENCL.)

DESIGN	D	REV.	
A10-460317-5		SHEET 1 OF 1 SHEET	
JOSLYN CLARK CONTROLS, LLC. LANCASTER, S.C. 29721-0945			
FILE: 460317-5		PLOT FACTORY: 1/18	
TITLE BUL-D10620,D10630,D10650,D10680 & D10690 FIRE PUMP CONTROLLER			
MADE BY	JMO	APP'D BY	KMM
		DATE	8/30/02

A10-460317-5

REVISIONS

RELEASED PER
ECN 14392.